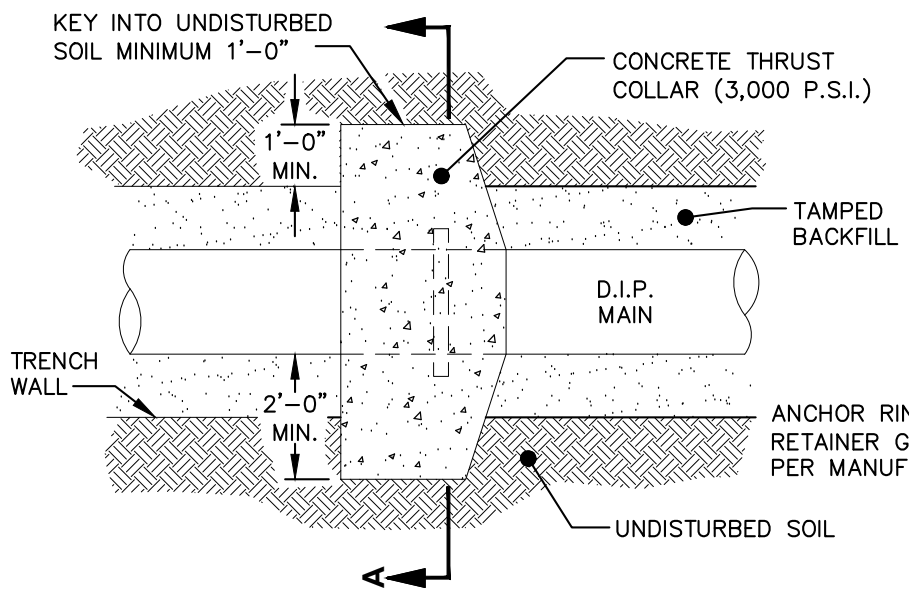
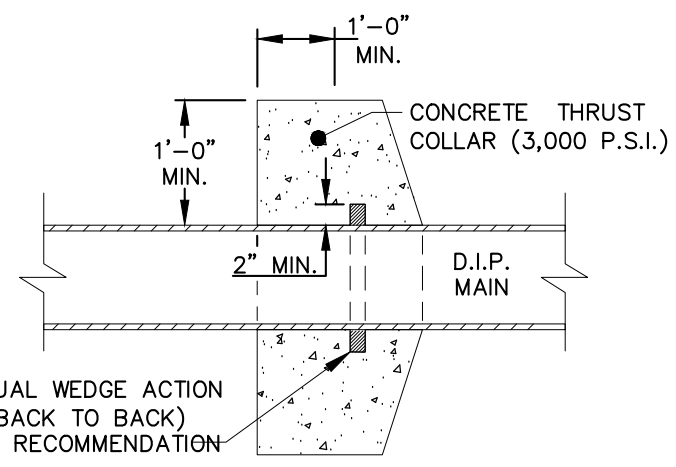




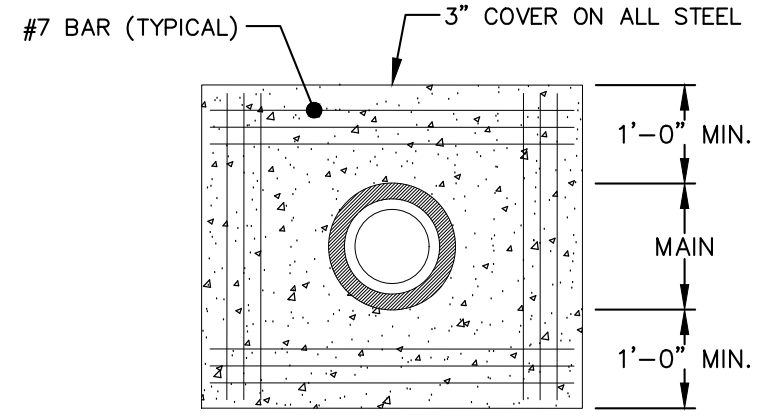
ANTI SEEP COLLAR



PLAN VIEW
NOT TO SCALE



PROFILE VIEW
NOT TO SCALE



SECTION VIEW A-A
NOT TO SCALE

- NOTES:**
1. THRUST COLLAR SHALL ONLY BE USED IF OTHER RESTRAINING METHODS CANNOT.
 2. THRUST COLLARS FOR PIPE BEYOND 12 INCHES SHALL BE DESIGNED BY THE ENGINEER.
 3. TWELVE (12) #7 BARS SHALL BE USED IN EACH COLLAR.

DATE: 02/07/2023 **WD DWG. NO.** 21

SCALE: NOT TO SCALE

City of Hendersonville Engineering Department
 305 Williams Street
 Hendersonville, NC 28792
 (828) 697-3000 (office)
www.cityofhendersonville.org